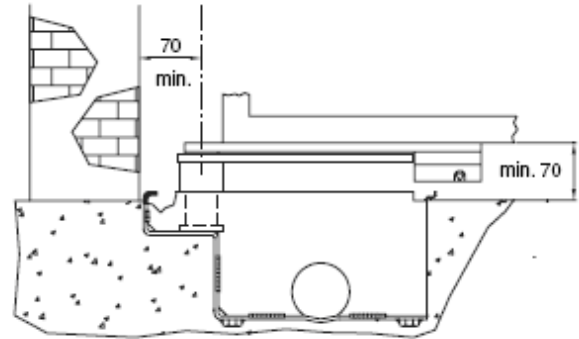
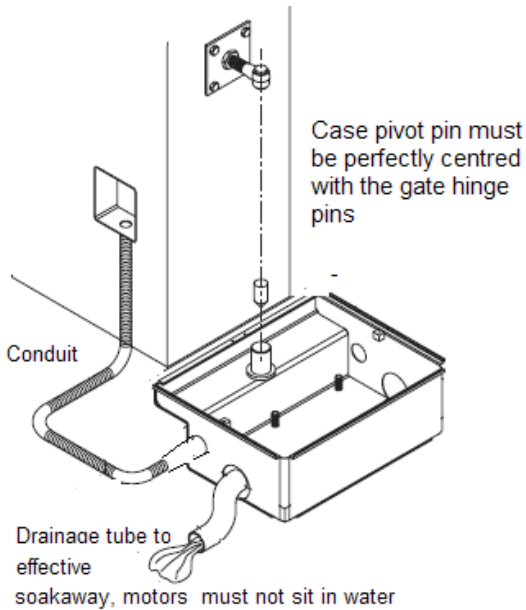


Eli BT/Thalia L Quick Reference Guide



tuned to you



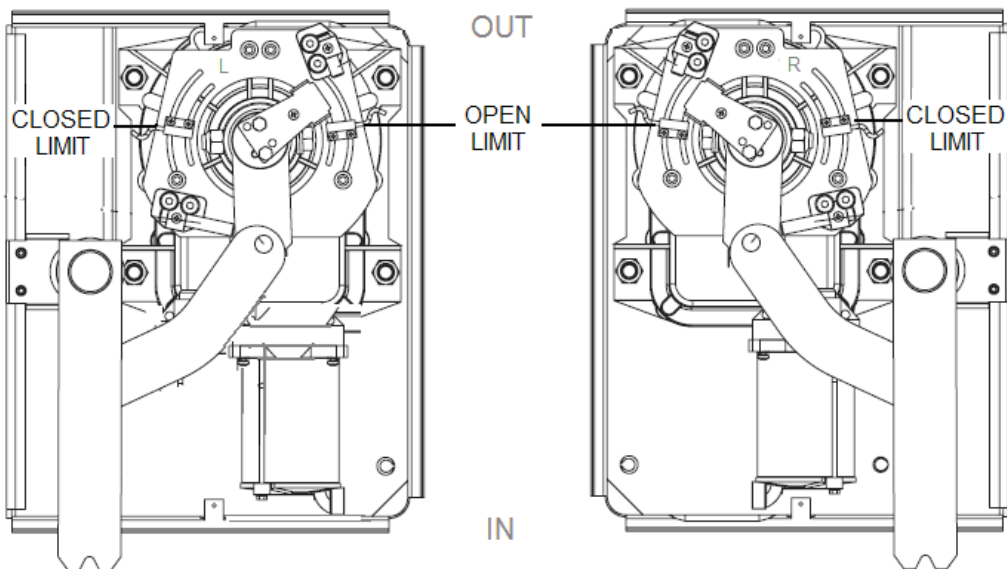
Motor cable extensions must be in 2.5mm² - do not cut the motor cable

THERE IS A WHITE LABEL AT THE END OF THE MOTOR CABLE WITH A SMALL PICTURE OF A PAIR OF SCISSORS WITH A CROSS THROUGH THE IMAGE - DO NOT CUT THE MOTOR CABLE. THIS WILL INVALIDATE THE WARRANTY.

Motor 1 will be first to open and last to close

- 1) Provide limit switch cores to both motors, 3 for each motor
- 2) Install foundation cases and motors as per diagrams
- 3) Do not fit any physical stops at this stage
- 4) Leave all accessories off until motors are set up
- 5) Leave the gates unattached

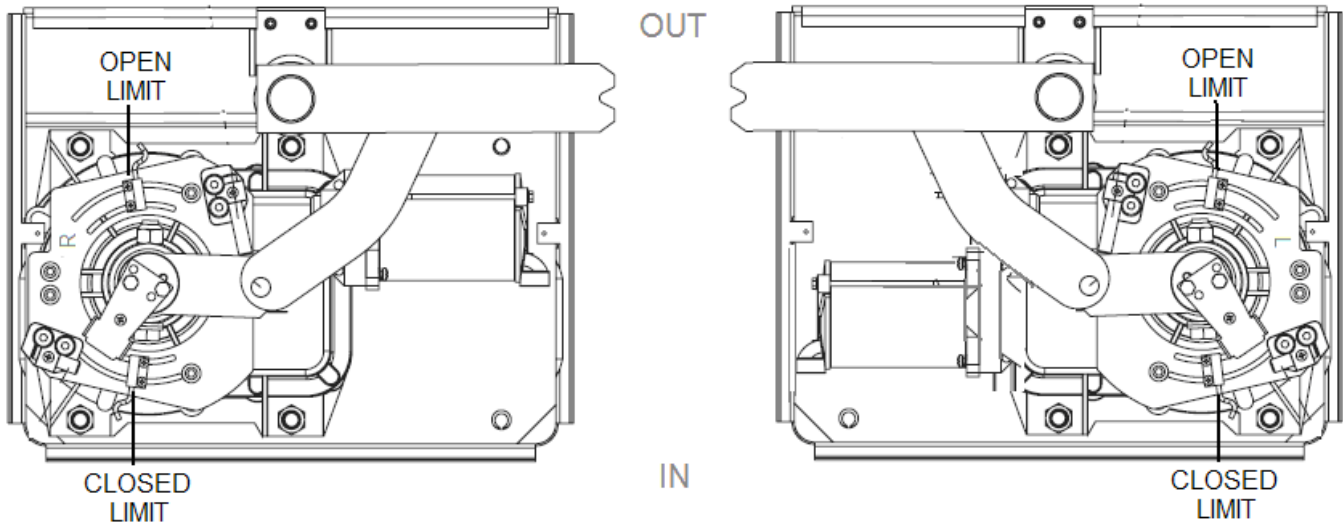
Normal orientation with motors between the posts;



This will be "Internal" direction in the quick set up.
(Invert the motors for open out installs – "External" in the quick set up)

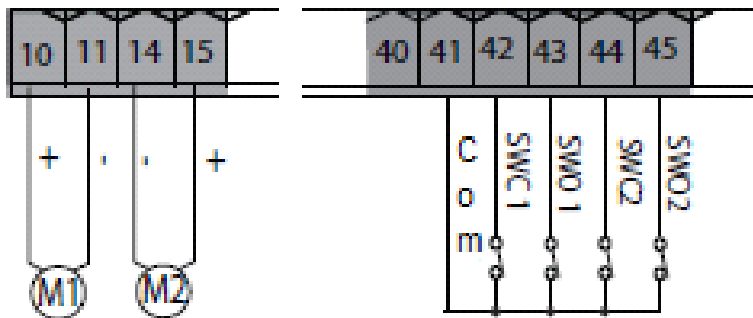
Eli BT/Thalia L Quick Reference Guide

Back hung orientation with motors mounted behind the posts;



This will be “External” direction in the quick set up.

6) Wire in the motor and limit switch cables as per the diagram below



SWC 1 = Closed Limit M1
 SWO 1 = Open Limit M1
 SWC 2 = Closed Limit M2
 SWO 2 = Open Limit M2
 Com = Common

- 7) On the panel, press the OK button twice rapidly = **PR-AR**
- 8) Set language to English
- 9) In Logic Set **Motor type** to “1”
- 10) For back hung or outward opening set ups set **open in other direct** to “1”
- 11) For single motor set ups set **1 Mot. on** to “1”
- 12) Install a transmitter
- 13) Fit the linkages and arms but not the gates yet.....
- 14) Run the motors back and forth with the transmitter
- 15) Adjust the limit switches to give an approximate position for open and close
- 16) Attach the gates, press the “OK” button once and follow the quick set up MENU through to Auto Set, if the gates have an overlap select “Ac” for the preset option, otherwise use “Ar” (More detail in the Thalia instructions)
- 17) Re check the limit positions – fine tune if required
- 18) Fit any physical stops, ensuring that the motors find their limits before the stops
- 19) For gates with a centre stop set Logic **Press Stop** to “1”
- 20) Force test and adjust speed and force to suit requirements
- 21) Fit accessories and fine tune any settings as required